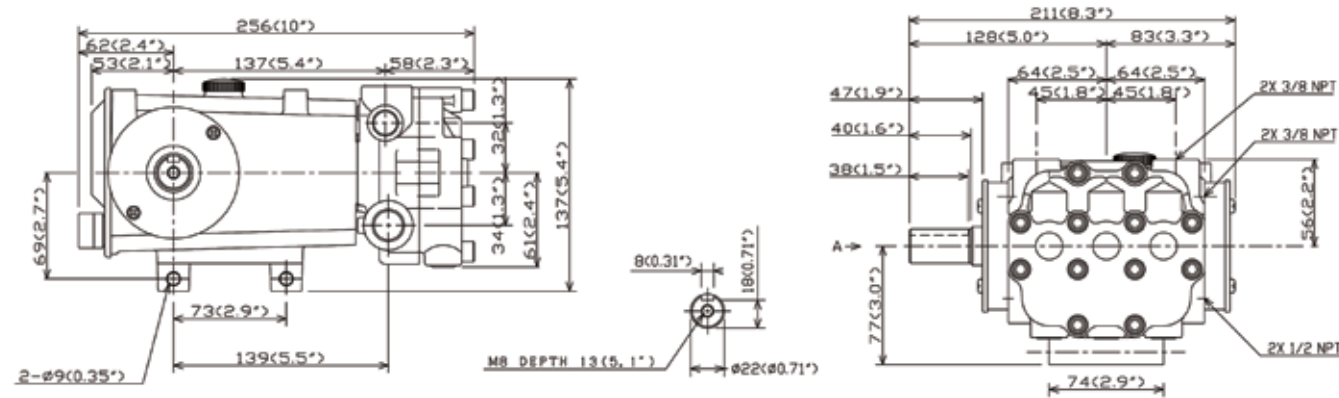
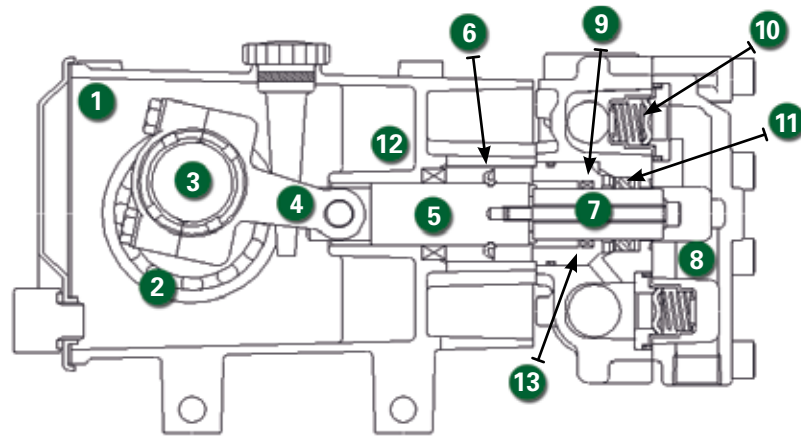


## DIMENSIONS (mm/in.)



## CUTAWAY

- 1 High strength, lightweight die cast crankcase
- 2 Oversized crankshaft bearings for long life and quiet operation
- 3 Forged crankshaft is machined for low friction, quiet operation and high efficiency
- 4 High strength connecting rods are tolerance matched for extended life and low friction operation
- 5 High polish stainless steel plunger rods for smooth operation and even wear
- 6 Zero clearance, polymer exclusionary seal protects pump crankcase from fluid entry and will not corrode
- 7 Proprietary blend, solid ceramic plungers for long wear and increased thermal shock resistance
- 8 Forged brass manifolds for strength and corrosion resistance, machined to optimize fluid flow and performance while extending useful life
- 9 Liquid-cooled, low drag seals provide long life, extended run-dry ability and increased suction lift
- 10 100% stainless steel valve construction provides superior protection against chemical and temperature damage
- 11 Mechanically-loaded seals require no adjustment and self-compensate for wear
- 12 Balanced flow crankcase ensures lubrication and quiet operation
- 13 Slide-in seal cases mean no special tools are required, making seal replacement easy

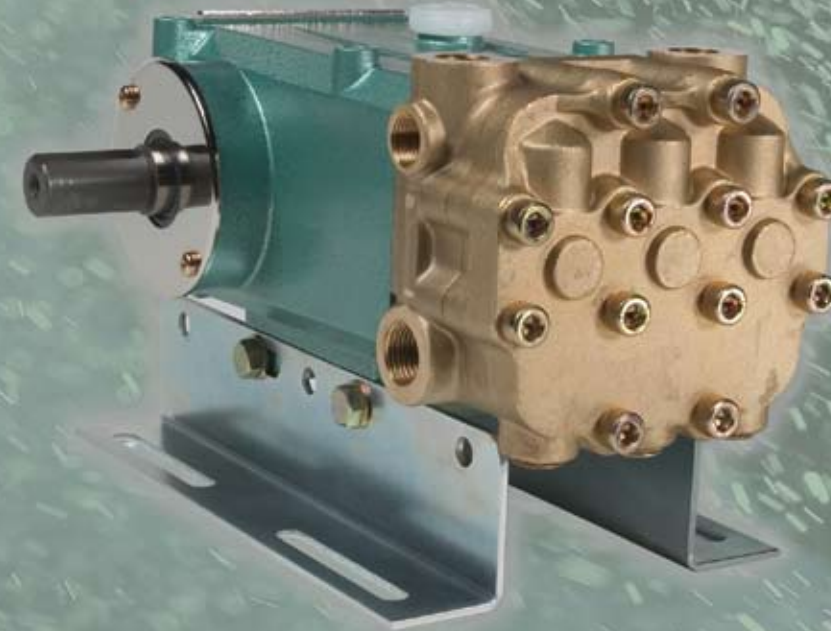


Arimitsu of North America, Inc.  
700 McKinley St. NW  
Anoka, MN 55303  
ph: 763.433.0303  
fax: 763.433.0404  
www.arimitsupumps.com

Manufactured by Arimitsu Industry Co., Ltd., of Osaka, Japan, a leading supplier of Industrial plunger pumps and systems used by Industrial leaders throughout the World.



Rev.2, Model 516, (2-06)  
Part #. 100



## 5 Series

### Model 516

## FEATURES

- Triplex pumps provide smooth liquid flow
- Liquid cooled, low drag seals provide long life, improved suction, higher efficiency and longer dry running without damage
- Balanced flow crankcase design and precision machining ensures uniform lubrication and quiet operation
- Manifold is designed and machined to guarantee superior fluid flow
- Interchangeable valves for maintenance ease
- Zero-clearance exclusionary seals protect crankcase

## QUALITY

- 100% stainless steel valve assemblies deliver greater temperature and chemical handling abilities
- Precision ground ceramic plungers utilize a proprietary material blend for long life and increased thermal shock resistance
- Forged brass manifolds offer strength and corrosion resistance
- Proprietary, proven seal blend maximizes life and increases maintenance intervals
- Oversized crankshaft bearings for long life and quiet operation

## MAINTENANCE

- No special tools required for repair or maintenance
- Fluid end is easily serviced without entering crankcase
- Easy access seal case and valve assemblies
- Seals require no adjustment

## SPECIFICATIONS

Model 516	US	METRIC
Flow	4 gpm	15 lpm
Pressure	2300 psi	160 bar
RPM	950	950
Inlet Pressure	-5 to 70 psi	0-5 bar
Alternative specification		
Flow	5 gpm	19 lpm
Pressure	2000 psi	140 bar
RPM	1200	1200
Inlet Pressure	Flooded to 70 psi	0-5 bar
Inlet	1/2" NPT	1/2" NPT
Outlet	3/8" NPT	3/8" NPT
Oil requirement	19 oz.	.55 L
Shaft Dia.	.866"	22 mm
Max Liquid Temp.	175°F	80°C
Shaft Location	L or R	L or R
Weight	21 lbs.	9.5 kg

Determining Pump RPM	Rated GPM	=	"Desired" GPM
	Rated RPM	=	"Desired" RPM
Determining Required HP	GPM x PSI	=	Electric Brake H.P. Required
	1460	=	
Determining Motor Pulley Size	Motor Pulley OD	=	Pump Pulley OD
	Pump RPM	=	Motor RPM

## Parts List

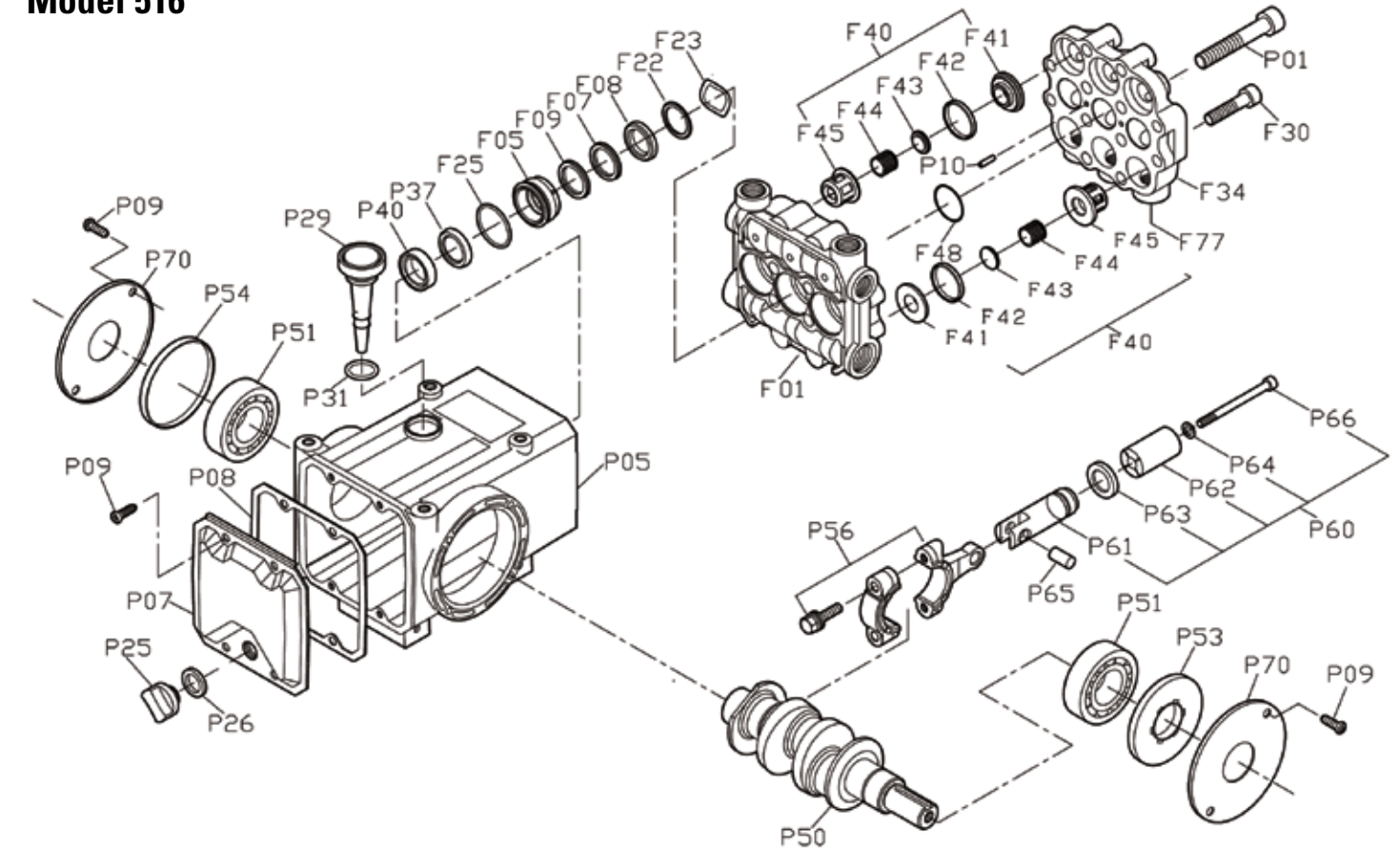
REF. #	PART NUMBER	PART NAME	MATERIAL	QTY
F01	02581010100A	MANIFOLD, PORTED	FORGED BRASS	1
F05	02585012001	SEAL RETAINER	BRASS	3
F06	02585014000A	SEAL ASSEMBLY		3
F07	(included in F06)	BACKING RING	FP	3
F08	(included in F06)	V-PACKING	NBR/TEXTILE	3
F09	(included in F06)	VACUUM SEAL	NBR	3
F22	0120001430	SPREADER	BRASS	3
F23	0258501450	WAVE WASHER	STAINLESS	3
F25	9203B15032	O-RING, RETAINER	NBR	3
F30	0361001140	BOLT, MANIFOLD	PLATED STEEL	8
F34	0258103200	MANIFOLD, VALVES	FORGED BRASS	1
F40	0258103300	VALVE ASSEMBLY		6
F41	(included in F40)	SEAT	STAINLESS	6
F42	0362003340 (included in F40)	GASKET	NBR	6
F43	(included in F40)	POPPET	STAINLESS	6
F44	(included in F40)	SPRING	STAINLESS	6
F45	(included in F40)	CAGE	STAINLESS	6
F48	9203F10022	O-RING, MANIFOLD	NBR	3
F77	0130003930	PLUG	BRASS	3
P01	02560011001	BOLT, HEAD	PLATED STEEL	4
P05	0276102010	CRANKCASE	ALUMINUM	1
P07	02560020401	BACK COVER	PLATED STEEL	1
P08	0256002050	GASKET	BONDED PAPER	1
P09	9138A05015	SCREW, PHILLIPS	PLATED STEEL	8
P10	0361001110	DOWEL PIN, MANIFOLD	PLATED STEEL	2
P25	0090002320	DRAIN PLUG	FP	1
P26	0090002340	GASKET, DRAIN PLUG	NBR	1
P29	01300026000A	OIL DIPSTICK ASSEMBLY	FP	1
P31	9201B20016	O-RING, DIPSTICK	NBR	1
P37	0276101730	WATER SLINGER	NBR	3
P40	02563024000A	OIL SEAL	NBR	3
P50	02561040102	CRANKSHAFT	STEEL	1
P51	0256004020	BEARING, BALL	STEEL	2
P53	0256004030	OIL SEAL, SHAFT SIDE	NBR	1
P54	0256104430	OIL SEAL, COVER	NBR	1
P56	0130004600	CON-ROD ASSEMBLY	ALUMINUM	3
P60	02781047S0	PLUNGER ASSEMBLY		3
P61	(included in F60)	ROD	STAINLESS	3
P62	(included in F60)	PLUNGER	CERAMIC	3
P63	(included in F60)	SPACER	BRASS	3
P64	0121114852	GASKET	COPPER	3
P66	(included in F60)	BOLT	STAINLESS	3
P65	0150004900	PIN, PLUNGER	STEEL	3
P70	02560044201	COVER, BEARING	PLATED STEEL	2
P80	0120008050	SHAFT KEY, STEPPED	STEEL	1

\* Material listed may be a proprietary version. Parts names without part numbers are only available within complete assemblies.

\* Material codes: FP=Flouropolymer, NBR=Medium Nitrile (Buna-N), STAINLESS=Stainless Steel (300 Series)

## Exploded View

### Model 516



09/05

REF. #	PART NUMBER	PART NAME	MATERIAL	QTY
	30100	SEAL KIT, (INCLUDES F06, F25)	NBR	1
	30101	VALVE KIT, (INCLUDES F40, F42)	STAINLESS/NBR	2
	30102	RAIL, STND, 5 SERIES	PLATED STEEL	2
	30103	OIL, BOTTLE (32 OZ) ISO 100		1
Recommended Accessories				
	70100	6085 REGULATOR, 5-15 gpm, 1200 PSI	bronze/ceramic	1

### Horsepower Requirements

	Pressure (psi)							
	RPM	GPM	LPM	1000	1250	1500	2000	2300
<b>516</b>	850	3.8	14.3	2.6	3.2	3.9	5.2	5.9
	950	4.0	15.0	2.7	3.4	4.1	5.4	6.2
	1200	5.0	19.0	3.4	4.3	5.2	6.9	